

Eco Preparation 1400 mm Work Table on Wheels

ITEM # _____

MODEL # _____

NAME # _____

SIS # _____

AIA # _____



132838 (WTD1407NR)

Work Table with wheels,
1400mm (H=900)

Short Form Specification

Item No. _____

Worktop in 304 AISI stainless steel with upturned edges and under panel made of sound deadening material. Square section legs 40x40mm in 304 AISI stainless steel on wheels. Delivered disassembled.

Main Features

- The high of the table is 900mm with the wheels for a perfect alignment with all other units and for easy movement of pots and pans through the equipments in the kitchen.
- Mounted on 4 swiveling castors, 2 with brakes.
- Sturdiness, stability and reliability of table accurately tested.

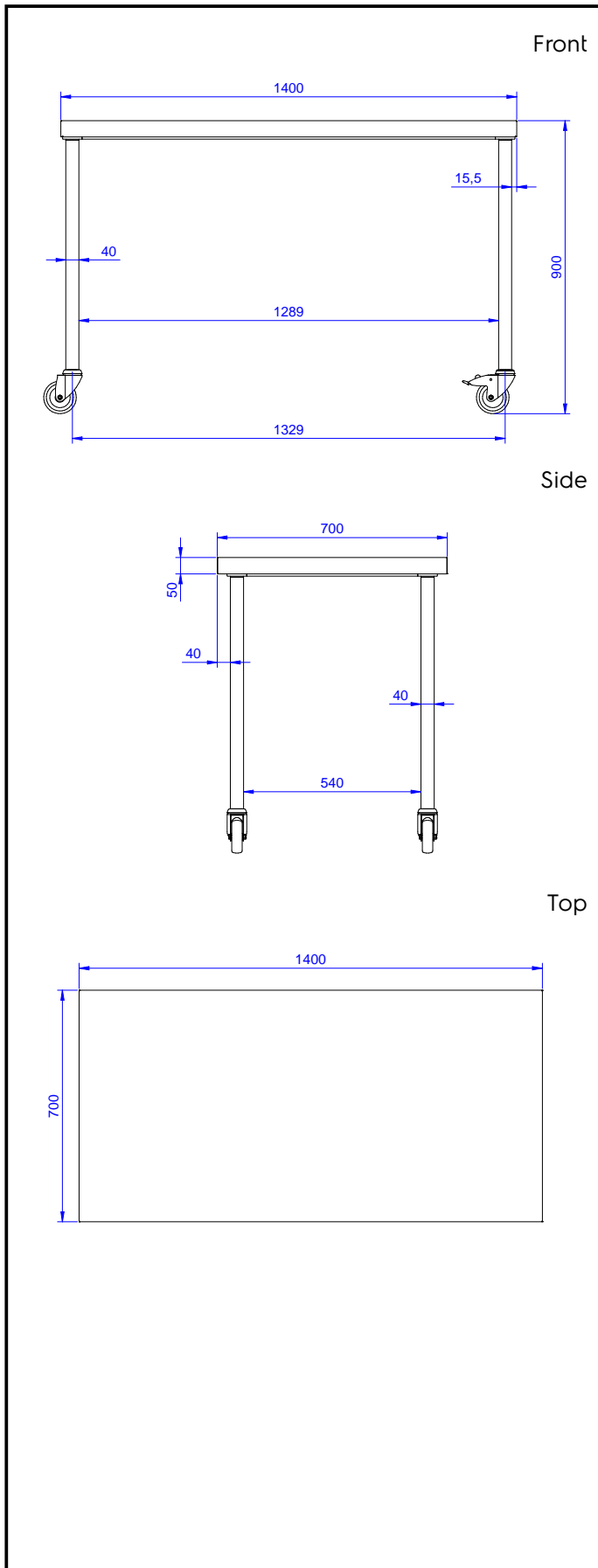
Construction

- Constructed entirely in stainless steel to offer maximum durability.
- Wide range of taps are available to suit every need.

Optional Accessories

- Lower shelf for 1400mm tables and sinks PNC 855146
- 3-sided underframe for 1400mm tables PNC 855153

APPROVAL: _____



Water:

Water drain outlet size:

Key Information:

External dimensions, Width:	1400 mm
External dimensions, Depth:	700 mm
External dimensions, Height:	900 mm
Bowls number	
Bowl dimensions	
Worktop thickness:	50 mm
Net weight:	47 kg